



## User's Manual

---

RGB LED products and  
project set-up tutorials:

RGB Arch  
RGB Mini Tree

Featuring  
Pixel360° by

**VIVID**  
**RGB**  
**LIGHTING**

The logo for Vivid RGB Lighting features a colorful starburst with many points in various colors (red, orange, yellow, green, blue, purple) radiating from a central white point. The text "VIVID RGB LIGHTING" is written in a bold, sans-serif font to the left of the starburst.

---

# Contents

An Introduction to Vivid RGB Pixel360°	02
What's Included	03
Connections Explained	04
<hr/>	
Tutorials	
Arch Setup	06
Mini Tree Setup	08
Support	11
Contact	11

## An Introduction

to Vivid RGB Pixel360° Inline LED Pixel Strings



Detail of Pixel360 with a frosted enclosure.

### Vivid RGB Lighting's Inline Pixel360 Features:

- 360° visible — Viewable from all directions.
- Full color — 16 million colors via Red, Green & Blue LEDs.
- Individually controllable -
  - » 170 pixels on DMX - any DMX controller will work!
  - » 680 Using Vivid RGB 4–Universe controller
- IP66 — Water projected in powerful jets...shall have no harmful effects
- Constructed "In-line" — Allows for clean straight lines.
- Modular — Connectorized cables & accessories
- UV Resistant
- Warranted for 18 months — That's two holiday seasons!

#### Standard Configuration:

- has 8" pixel spacing
- has 21 Pixels per string , 14 feet long
- Maintains spacing between interconnected strings

### Animated Lighting Compatibility

- Compatible with Animated Lighting's Pixel Driver controller
- Programable with the MonsterBrain/MP3 controller
- Networkable with existing Animated Lighting light controllers.
- Available with:
  - » Multiple pre-programmed shows
  - » Custom programming
  - » On-site support
  - » Complete Design services

### Pixel360 strings can be used:

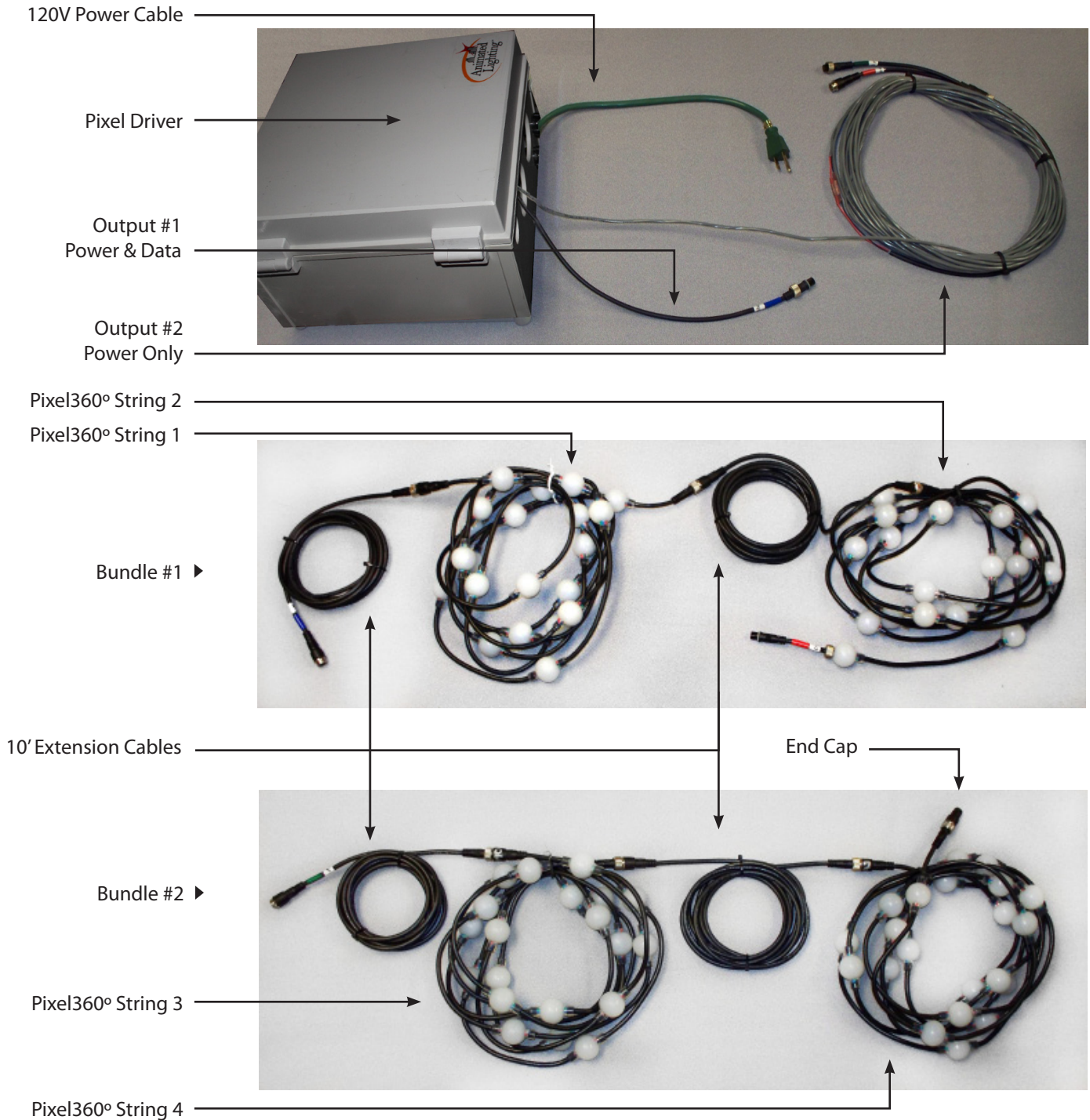
- On Bushes or trees
- To Outline Windows, Doors, Roofs or Gutters
- To line driveways or sidewalks
- Mount on frames of any shape or design

# What's Included

with Animated Lighting RGB Arch and Mini Tree

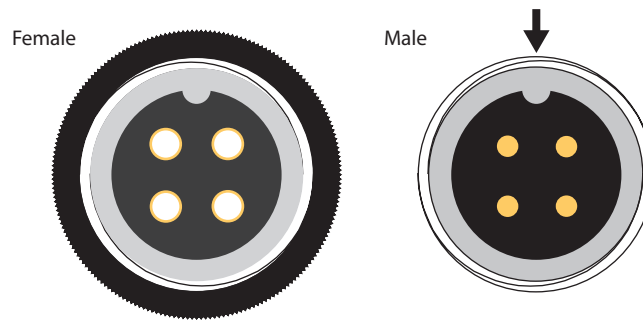
(1) Animated Lighting Pixel Driver Controller with integral power supply and (2) Outputs.

(2) Vivid RGB Pixel360° string bundles, each containing:  
(2) Pixel360° strings  
(2) Jumper cables



## Connections Explained

All system connectors are keyed for easy, safe connections. Be sure to properly align these keys when making connections, and do not force plugs incorrectly.



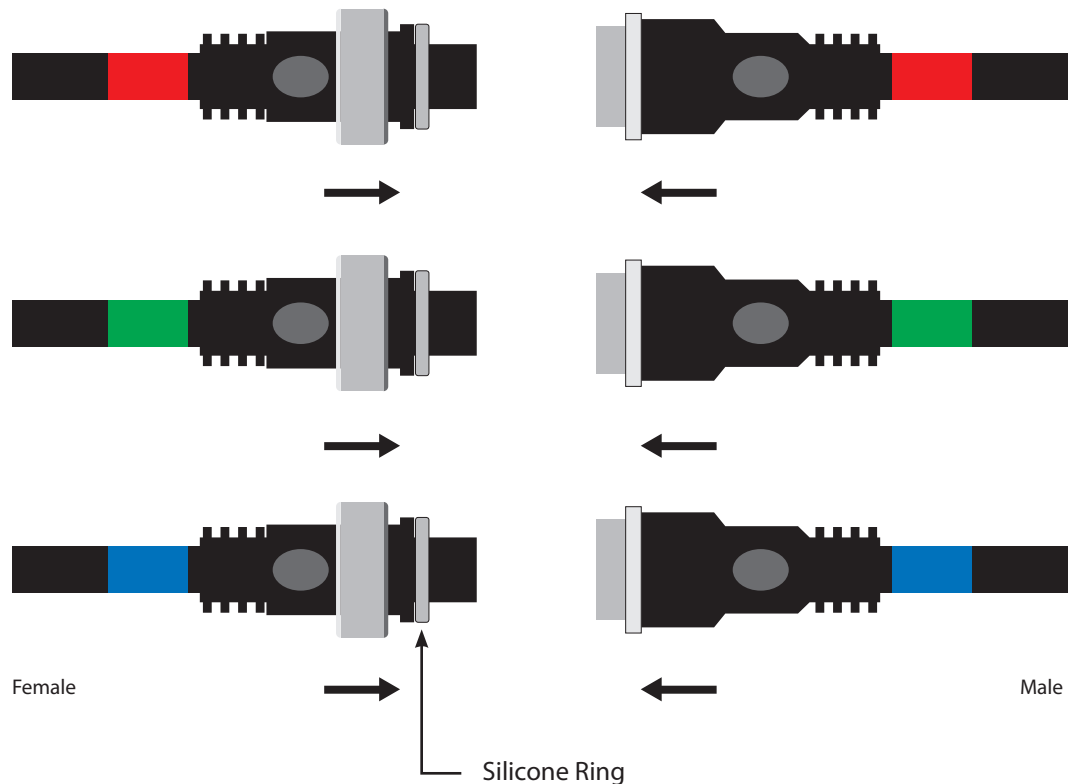
### Note

Connectors will only fit together one way.

Use the notch as a guide when connecting cables.

Each connection is color-coded by Animated Lighting, either red, green or blue.

Attach the connectors as shown in the connection diagrams (see pages 7 or 10), being sure to match colored connections properly.



Simply press the male connector into the female connector, then hand-tighten the screwcap for a watertight connection.

### Note

The silicone rings can fall off. Please contact us for replacements if needed.

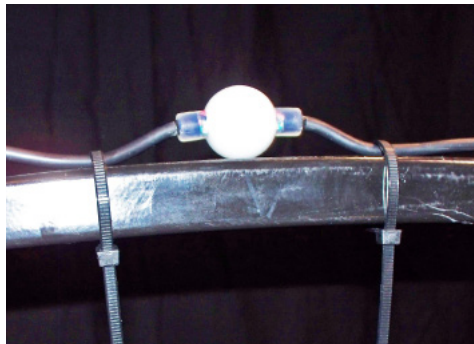
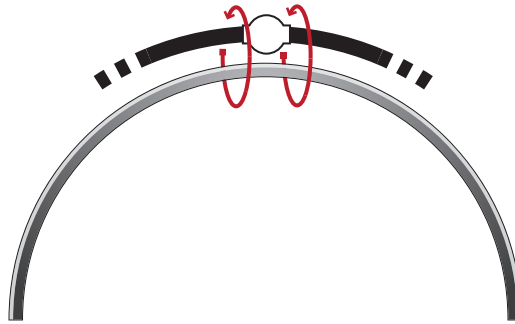
## Tutorials

Arch	06
MiniTree	08

## Arch Setup

In this setup, we will use cable ties to secure Vivid RGB Pixel360° strings onto Animated Lighting arch frames.

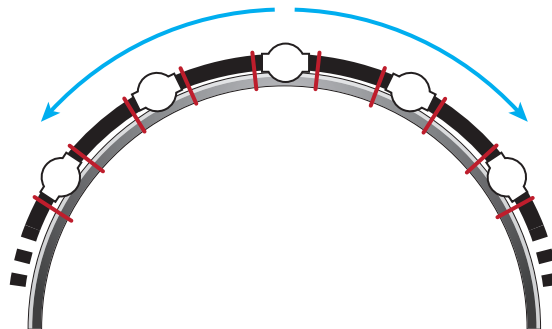
- Step 1 Find the center pixel.  
Each string has 21 pixels, the 11th is the very center.
- Step 2 Using two cable ties, Secure it to the top side of the arch at the center point.  
Install the cables ties about 1" from the side of the pixel.



### Note

Do not install the cable ties too close to the pixels. This will put too much strain on the wires.

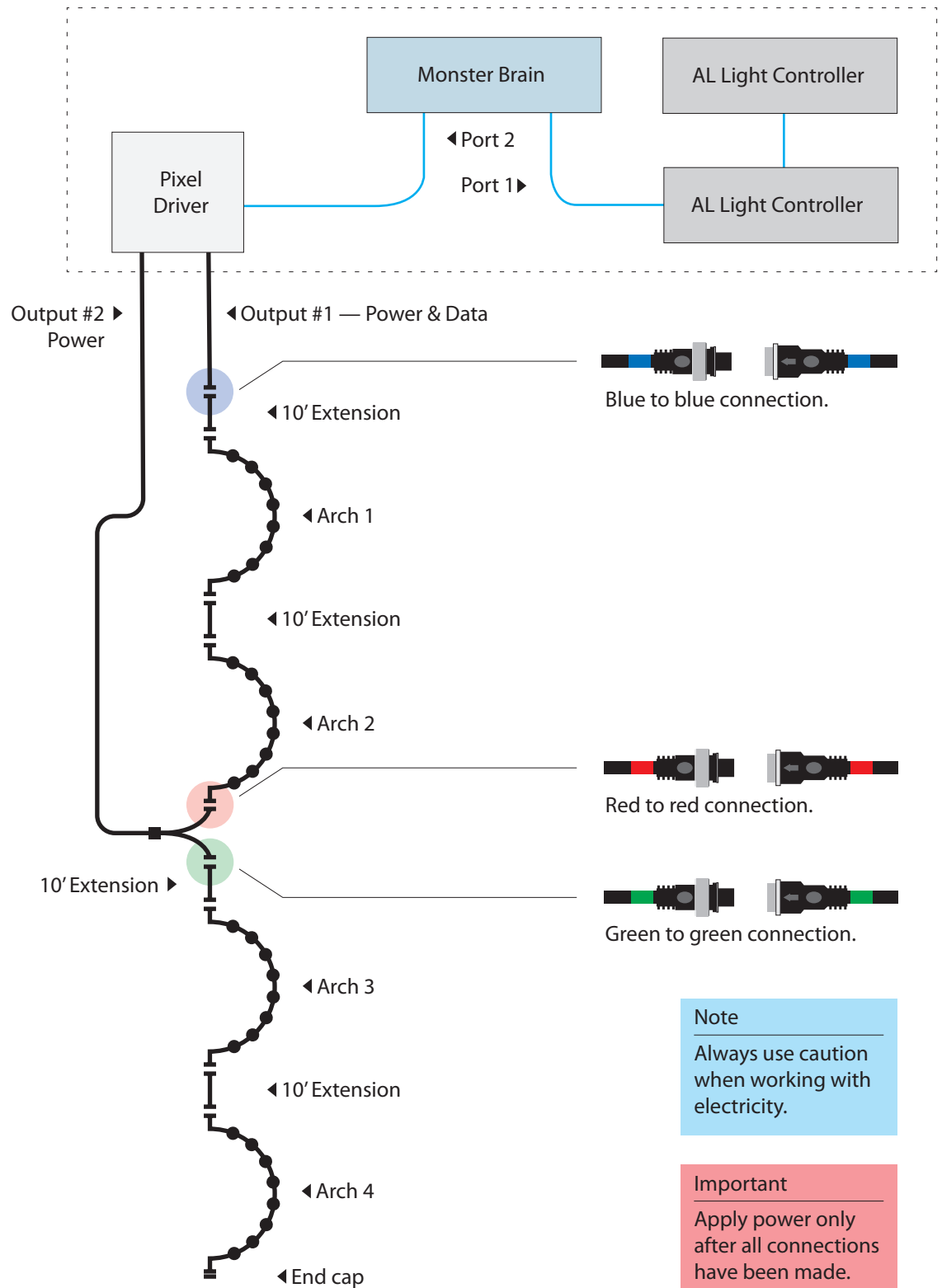
- Step 3 Continue securing the string to the arch frame with cable ties until all are fastened.



# Arch Setup (con't.)

## Connection Diagram

Step 4 Connect the control systems and LED pixel strings as shown in the diagram below.

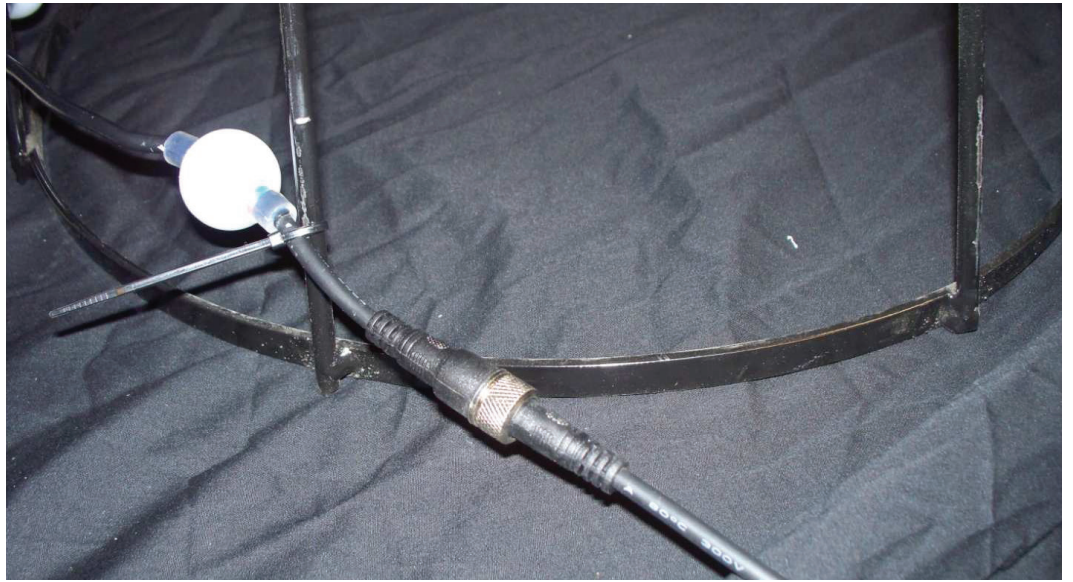
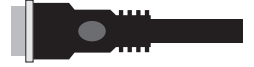




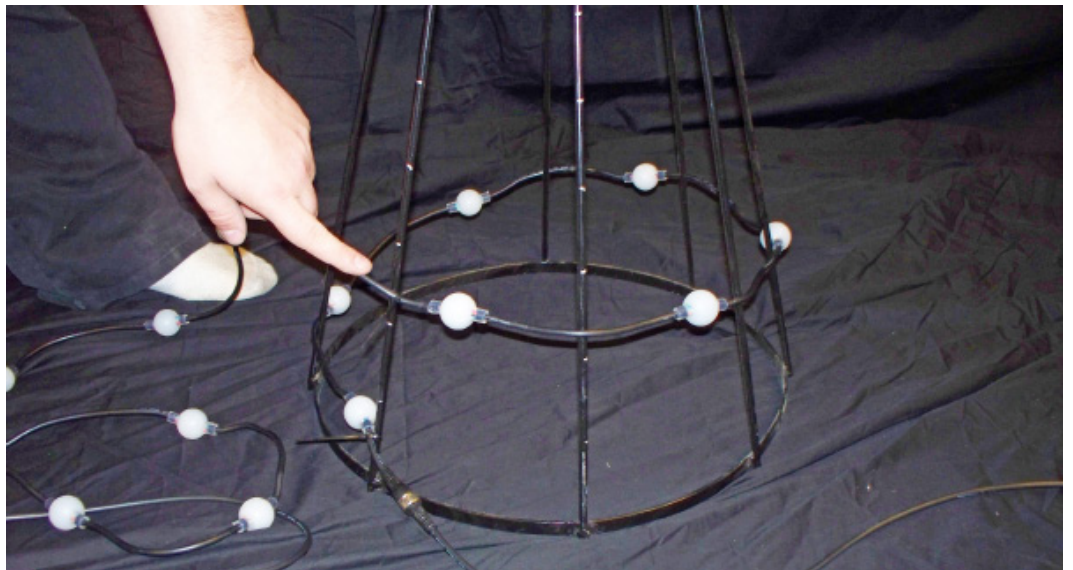
## Mini Tree Setup

In this setup, we will use cable ties to secure Vivid RGB Pixel360° strings onto Animated Lighting Mini Tree frames.

- Step 1 Secure the first pixel on the string to any point near the bottom of the mini tree frame with a cable tie, starting at the end with the male connector.



- Step 2 Continue securing the string to the tree frame with cable ties until all are fastened, moving upwards in a spiral.



## Mini Tree Setup (con't.)

Step 3

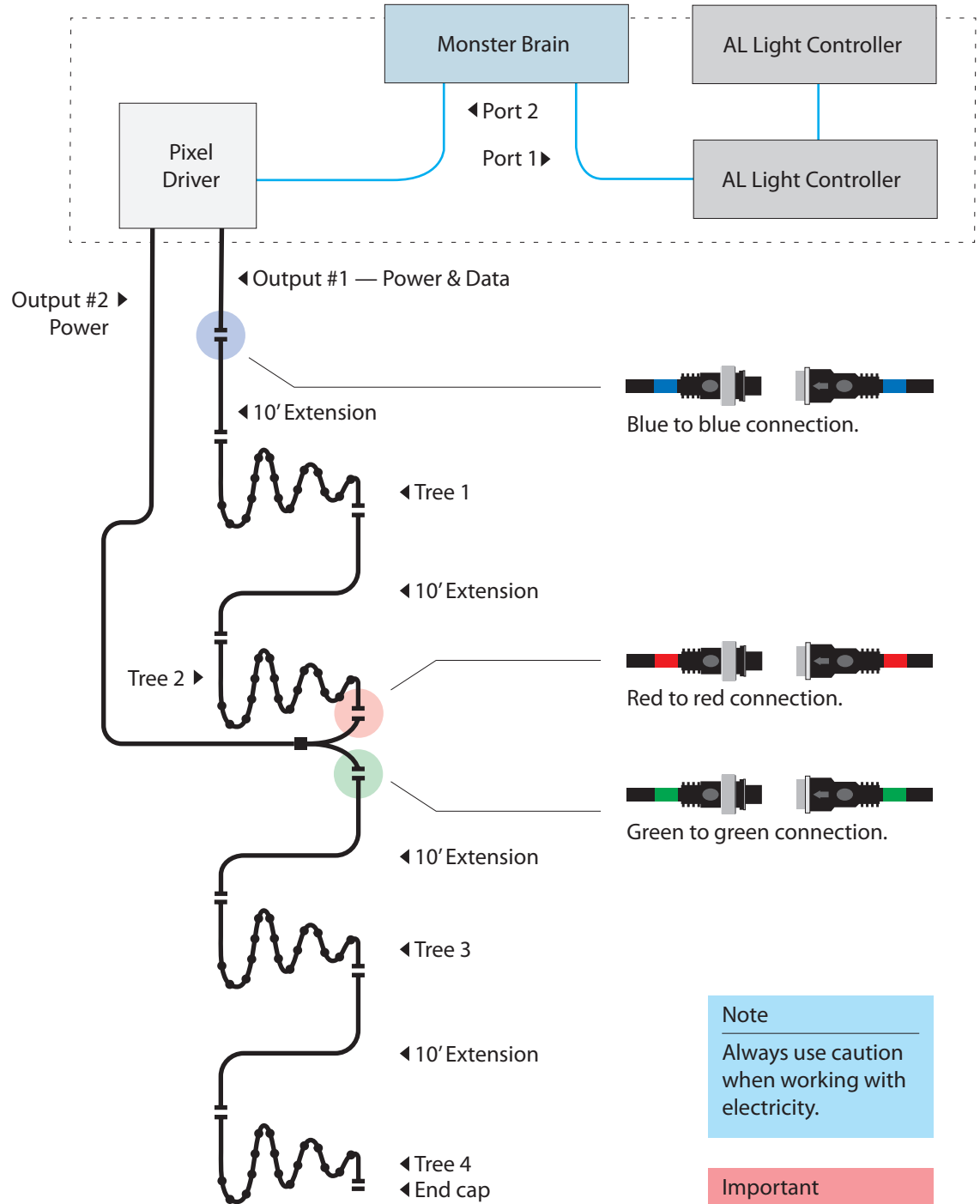
Secure the final pixel to the top of the frame.



Completed  
Mini Tree  
Frame

# Mini Tree Setup (con't.)

## Connection Diagram



**Note**  
Always use caution when working with electricity.

**Important**  
Apply power only after all connections have been made.

---

## Contact Us for Support

For sales inquiries, please email us at

**[sales@animatedlighting.com](mailto:sales@animatedlighting.com)**

For technical support, please email us at

**[support@animatedlighting.com](mailto:support@animatedlighting.com)**

For sales or support, you can reach us by phone at

**(816) 941-0400**