

Chip3 Inline Ultraslim RGB Multi-Pixel

Key Features



Slim
Enclosure



Overmolded
Electronics



Full-color
RGB pixels



Triple
Brightness



Center
Mounting Hole



Dust- and
Water Resistant



24 Month
Warranty



RoHS Certified and Built
to CE, UL, ETL Standards



Many Applications

- Light Shows
- Signage
- Trade Shows
- Retail Interiors
- Concerts and Events
- Decorative Elements
- Architectural Accents
- High Brightness Video Installations

Further Reading

Visit us online for the most up-to-date product information:

www.VividRGBlighting.com

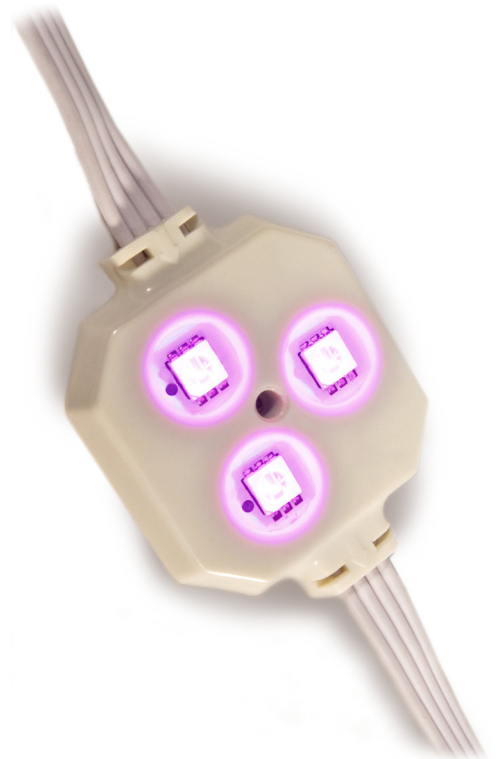
Introducing Chip3

Chip3 from Vivid RGB Lighting partners three super-bright, surface-mounted RGB LEDs with a thin-profile, housing for applications where bright, directional light is needed in a small package.

Chip3 understands common DMX512 control and comes with an integrated mounting hole to fit seamlessly into your project and control system. Our SMD LED design is capable of displaying over 16 million colors, with the brightness of three RGB LEDs per pixel.

Get the most light in the smallest package with Chip3.

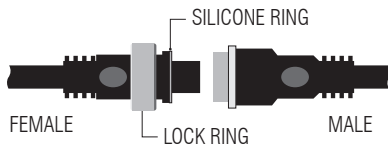
Perfect for architectural lighting and display applications, Chip3 is at home in any environment.



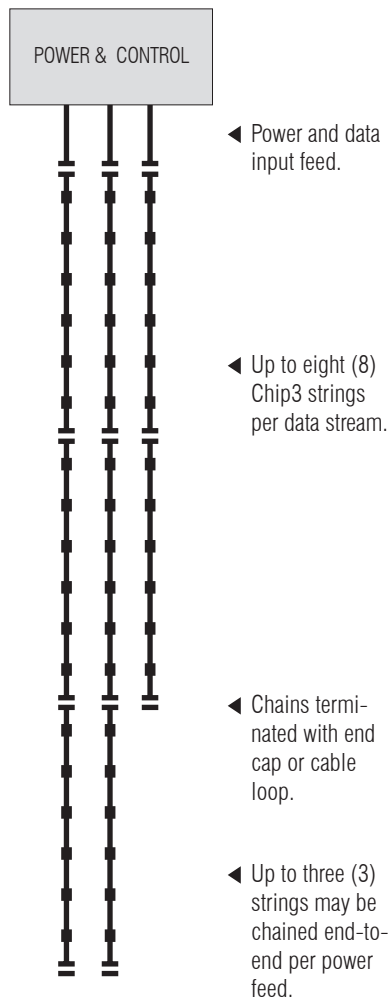
Chip3 Inline Ultraslim RGB Multi-Pixel

Connectors

4-pin keyed aviation-style connector with weathertight lock ring.



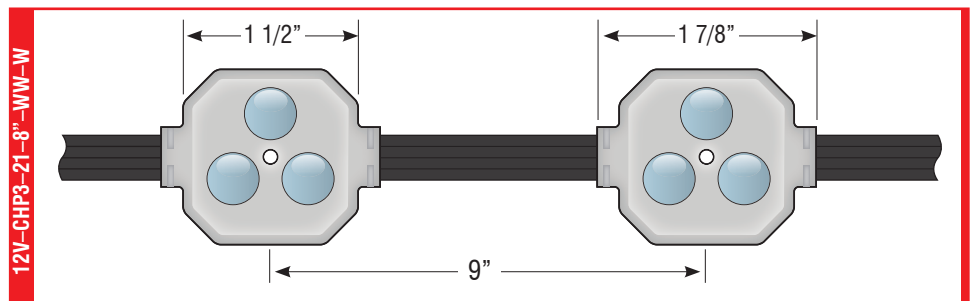
System Overview



Standard Configuration Part Order No. CHIP3-21-9"-BB-B

Each string consists of 21 individually-controllable LED pixels, with integrated power and control. Black housing and black wire with 9" on-center pixel spacing, 15'-9" overall length. Connected strings maintain even pixel spacing.

Ultraslim pixel enclosures with center mounting hole, sealed for maximum fixture life and IP64 rated for outdoor applications.



Technical Specifications*

OUTPUT	LUMEN MAINTENANCE	50,000+ hours
	LED CHANNELS	Red, Green, & Blue
	GRAYSCALE	256, 8-bit
ELECTRICAL	INPUT VOLTAGE	12V DC
	POWER	0.7W / pixel
CONTROL	INTERFACE	1-Wire DMX512
	CONTROL SYSTEM	Full range of controllers available, or third-party DMX controller
PHYSICAL	TEMPERATURE RANGES	-20°C – 50°C / -4°F – 122°F
	HUMIDITY	Any
SAFETY	ENVIRONMENT	Dry & damp, water resistant; IP64

*Due to continuous improvements and design innovations, specifications subject to change without notice.

Build-to-Order Configurations

Minimum Order Quantity: 200 pixels per configuration
 Production Lead Time: 8 weeks after receipt of order

Custom options available for:

- Pixel count per string, specific to your design.
- Cable length and spacing.
- Black or white housings and/or wire colors - other upon request.
- Other options upon request, call for more information.



Typical Wiring Instructions

Input cables connect to controller & power supply and provide a common ground between them. Extension cables extend distances between components. End caps provide a waterproof termination at the end of each string.

Chip3 String Power

Use total watts to determine necessary power supply capacity.

Maximum power draw is 0.7 W per pixel at 12 V DC.

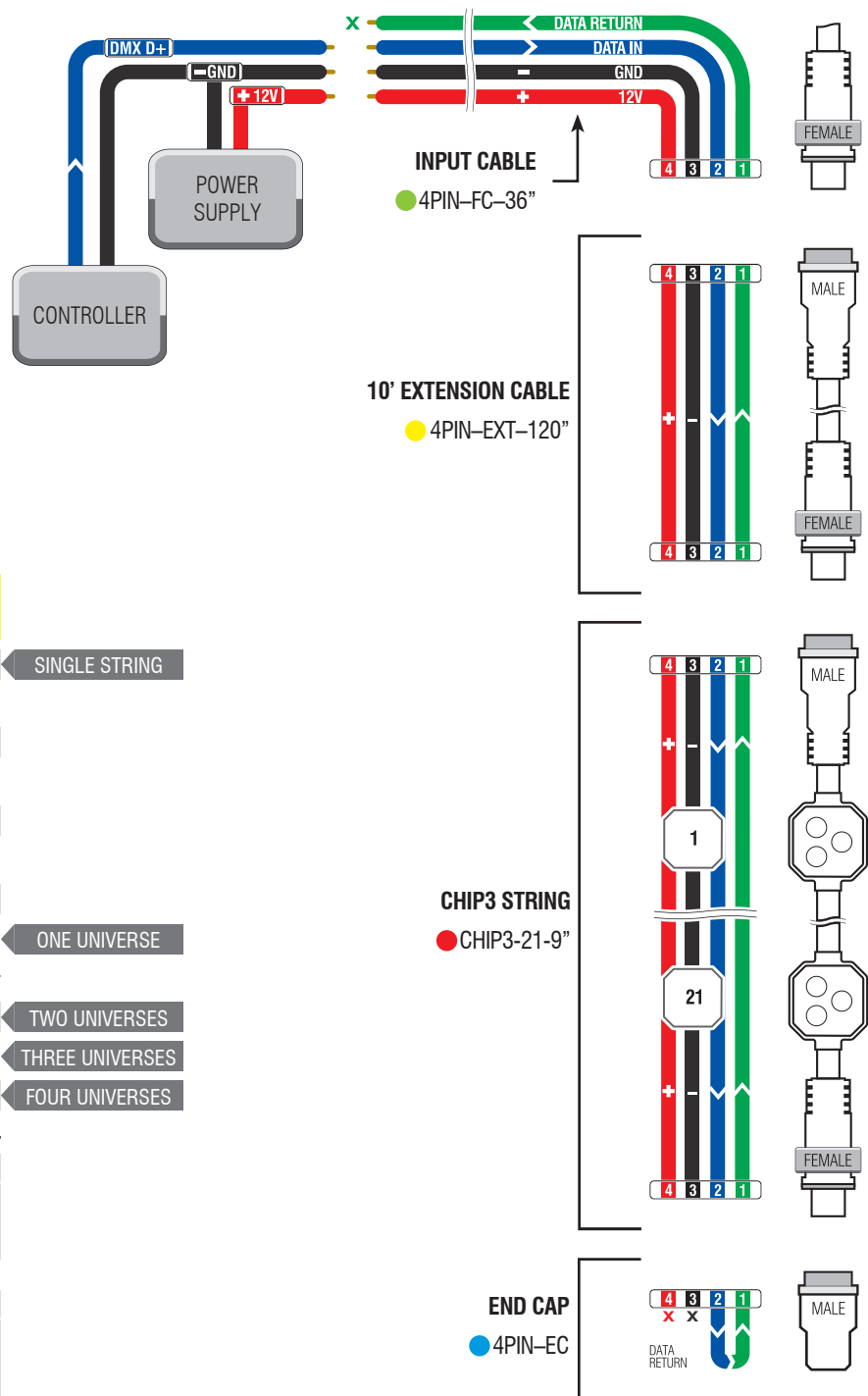
STRINGS	AMPS @ 12V	TOTAL WATTS	
1	1.20 A	14.00 W	← SINGLE STRING
2	2.30 A	28.00 W	
3	3.50 A	42.00 W	
4	4.70 A	56.00 W	
5	5.80 A	70.00 W	
6	7.00 A	84.00 W	
7	8.10 A	98.00 W	
8	9.30 A	112.00 W	
<hr/>			
16	18.50 A	224.00 W	← TWO UNIVERSES
24	28.00 A	336.00 W	← THREE UNIVERSES
32	37.00 A	448.00 W	← FOUR UNIVERSES

NOTES

Figures in this chart allow for 5% headroom. Typical per-pixel wattage is 0.65 W.

IMPORTANT

Keep the power supply as close as possible to the strings to minimize voltage drop. Excessive voltage drop will cause color shift and/or intermittent operation.



Due to continuous improvements and design innovations, specifications subject to change without notice.



Chip3 Inline Ultraslim RGB Multi-Pixel

System Accessories & Part Numbers

System Input Cable

Bare ends connect to controller and power, female end connects to strings.

Stock:

4PIN-FC-[Length]"

Custom lengths available.

System Output Cable

Male end connects to end of strings, bare ends provide data and power output from system.

Stock:

4PIN-MC-[Length]"

Custom lengths available.

Extension Cables

Through extension of all pins.

Stock:

4PIN-EXT-60"

4PIN-EXT-120"

4PIN-EXT-300"

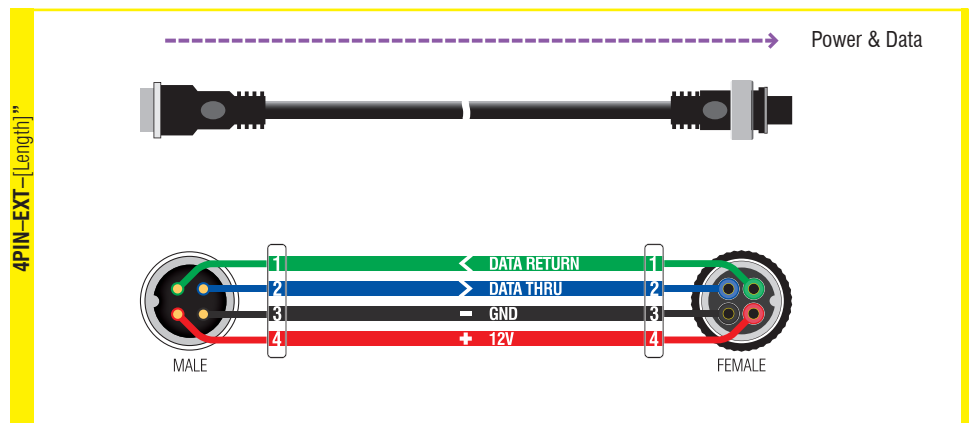
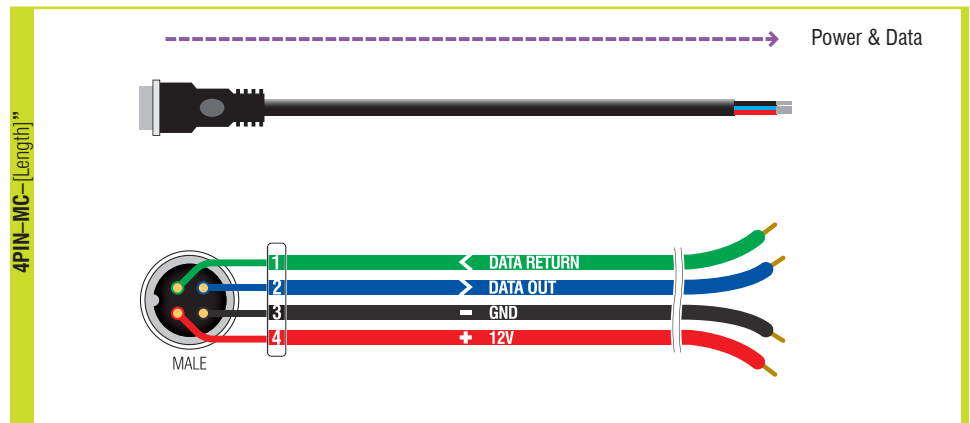
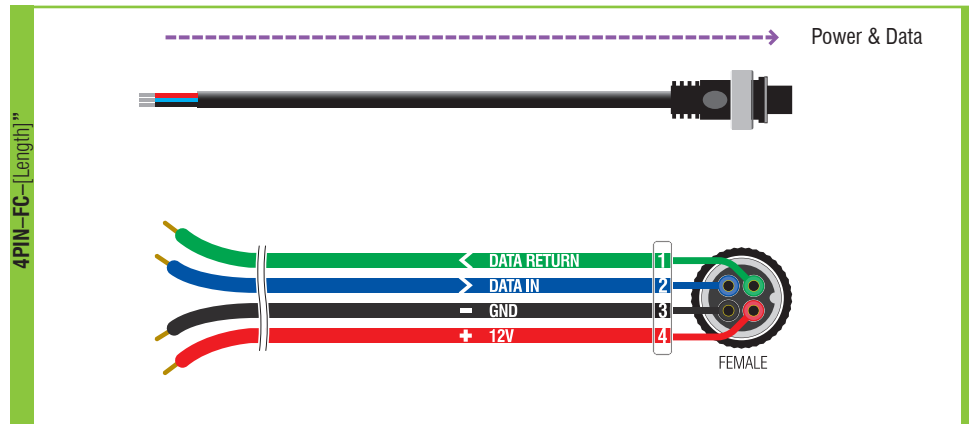
That's 5, 10 & 25 Feet.

Custom lengths available.

NOTE

Numbers refer to labeled pins in connectors.

Chip3 is a **12-Volt** system, compatible with **4-pin** accessory cables and products. Please contact customer support with product compatibility concerns.



Chip3 Inline Ultraslim RGB Multi-Pixel

End Caps

Seals cable end with a water tight termination and returns data stream to beginning of string.
Available in simple cap or cable loop for easy hanging.

Stock:

4PIN-EC

4PIN-EL-5"

Custom loop lengths available.

V-Cables

Allows strings to be used in parallel on the same power and data stream.

Stock:

4PIN-VC-9"

4PIN-VC-18"

4PIN-VC-60"

Custom lengths available.

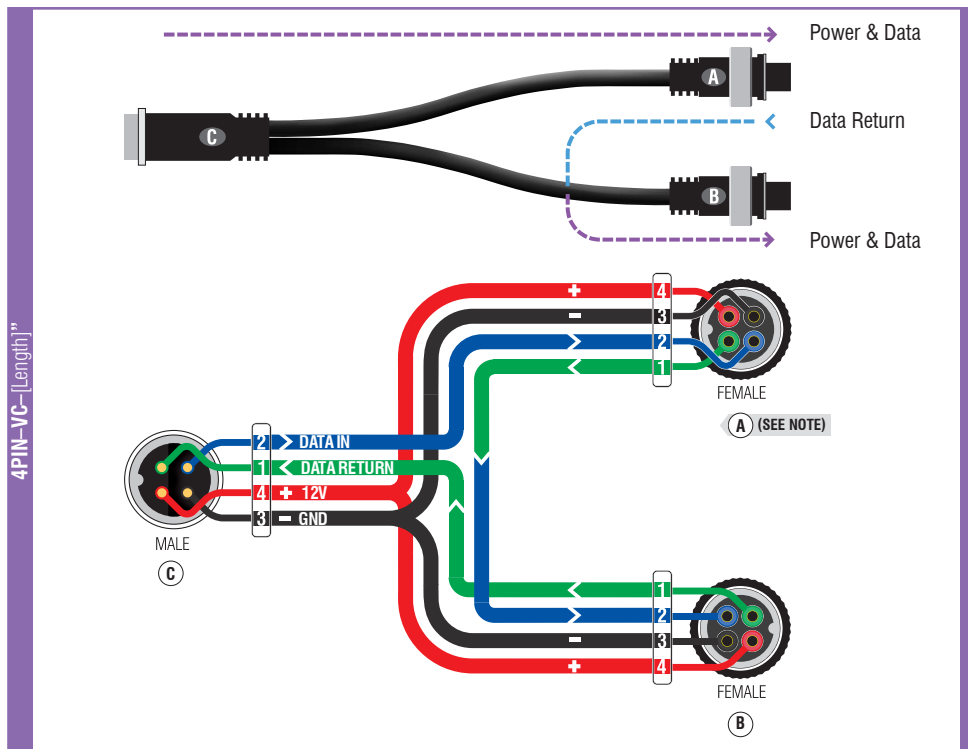
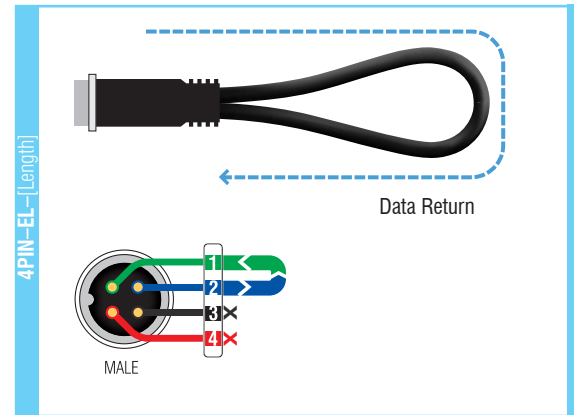
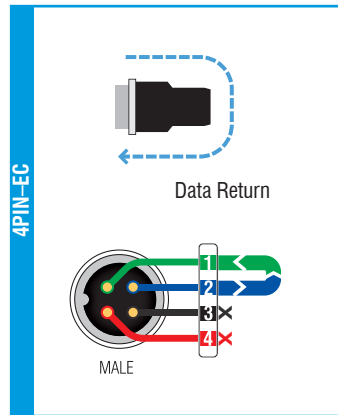
A: Output to first string sequence (SEE NOTE)

B: Output to second string sequence

C: Power and data input

NOTE

The last string of the **A** output of the V-Cable *must* have an end cap (4PIN-EC or 4PIN-EL) installed for data to return to the **B** output. If the strings attached to **A** are disconnected, data will not return and be sent to **B**.



Custom / Build-to-Order

All cables and accessories may be custom designed for your project.

Important Note

Our systems use 3-, 4-, and 6-PIN connectors for different control data and power voltages. **Please do not interconnect.**



Chip3 Inline Ultraslim RGB Multi-Pixel

Mid-Feed Power Input

Allows for power to be input between strings on same data stream.

Stock:

4PIN-MF-9"

4PIN-MF-12"

Custom lengths available.

X: Data input from previous string

Y: Additional power input

Z: Power and data output to next string(s)

